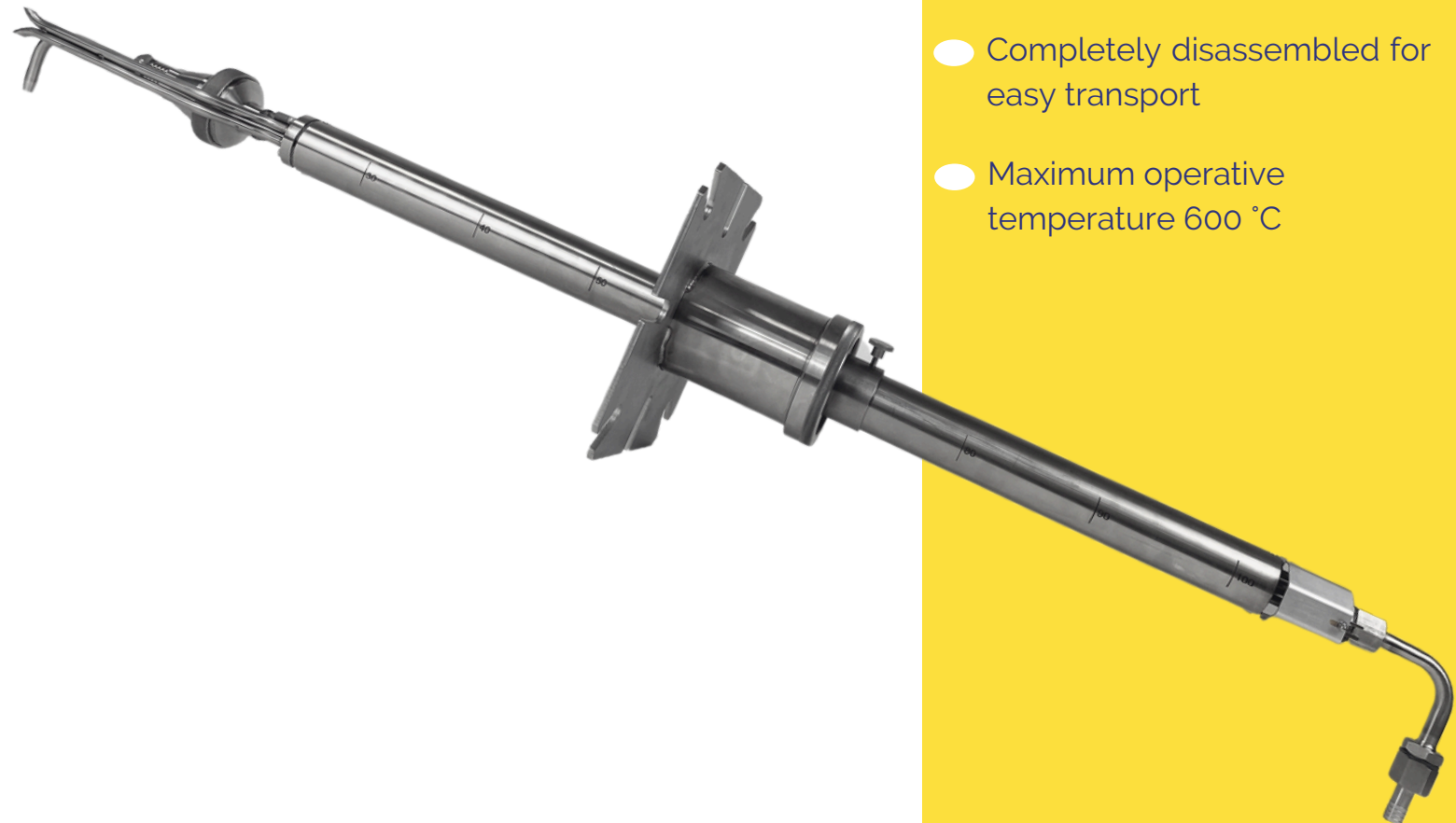


MONOTUBE PROBE

- Compliant with UNI EN ISO 16911-1 and UNI EN 13284-1
- Designed in stainless steel
- Developed to perform isokinetic samplings in stacks without or with little humidity
- Completely disassembled for easy transport
- Maximum operative temperature 600 °C



MONOTUBE PROBE

The **MONOTUBE PROBE** is developed to perform isokinetic samplings in stacks **without or with little humidity**. The sampling head integrates the measuring tube (Darcy with thermocouple), the sampling tube and two independent auxiliars tubes with sintered filter.

The monotube probe is entirely designed in **stainless steel**, and it is **easy to carry around**. It is also possible to remove the Darcy tip to protect the entry holes during the transport.

Two additional gas withdrawal lines with sintered filter allow the use with analyzers, FID and other types of withdrawal.

TECHNICAL FEATURES

• NOMINAL LENGTH (mm)	• LENGTH WITH SLIDE (mm)
500	380
1000	880
1500	1380
2000	1880
2500	2380
3000	2880

MONOTUBE PROBE

