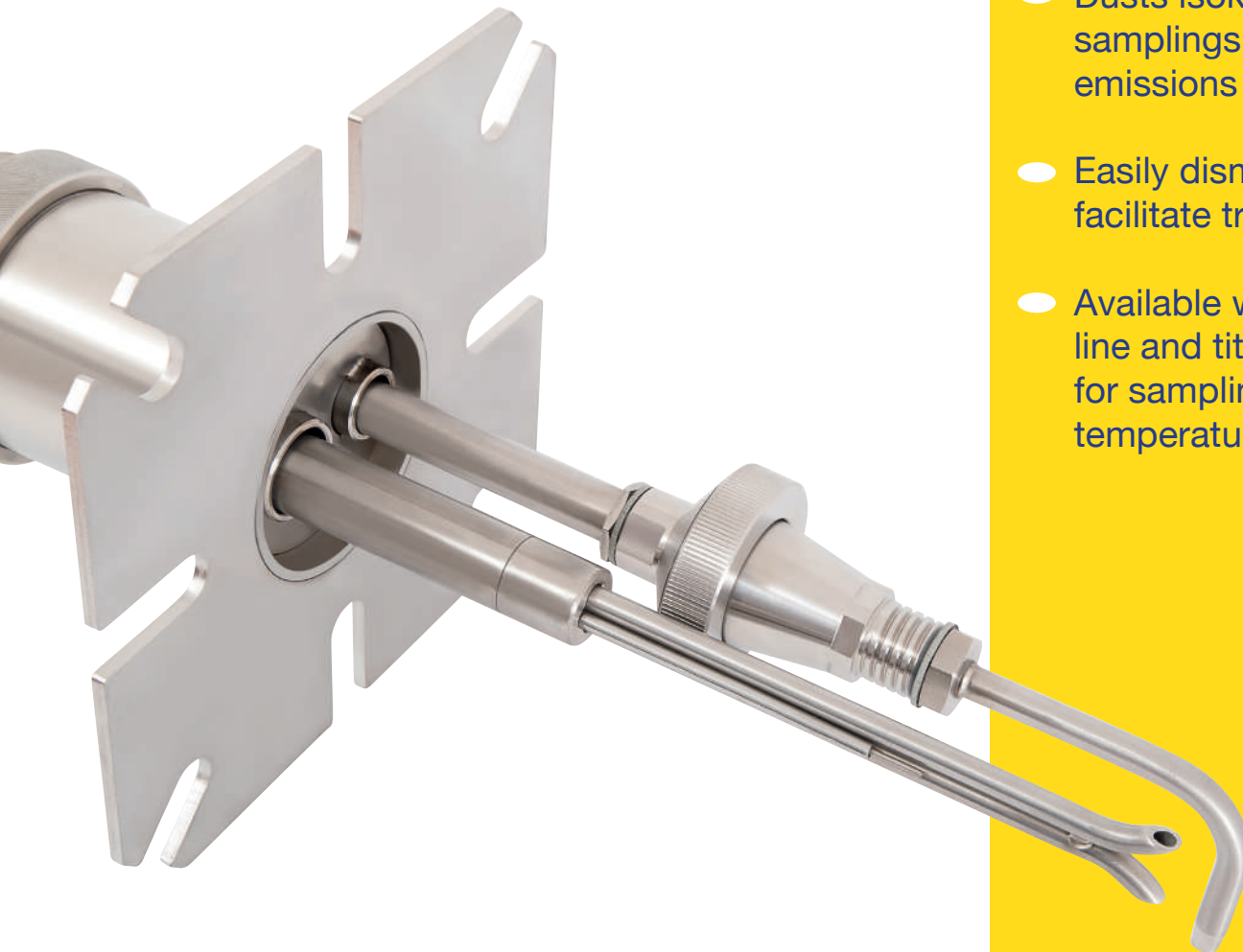
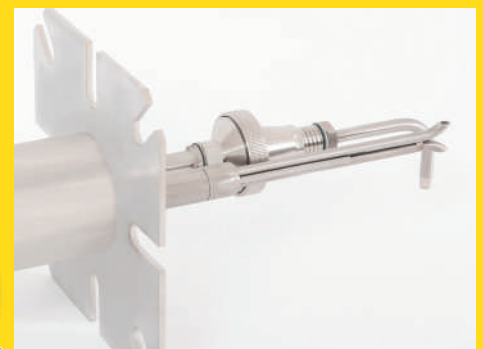


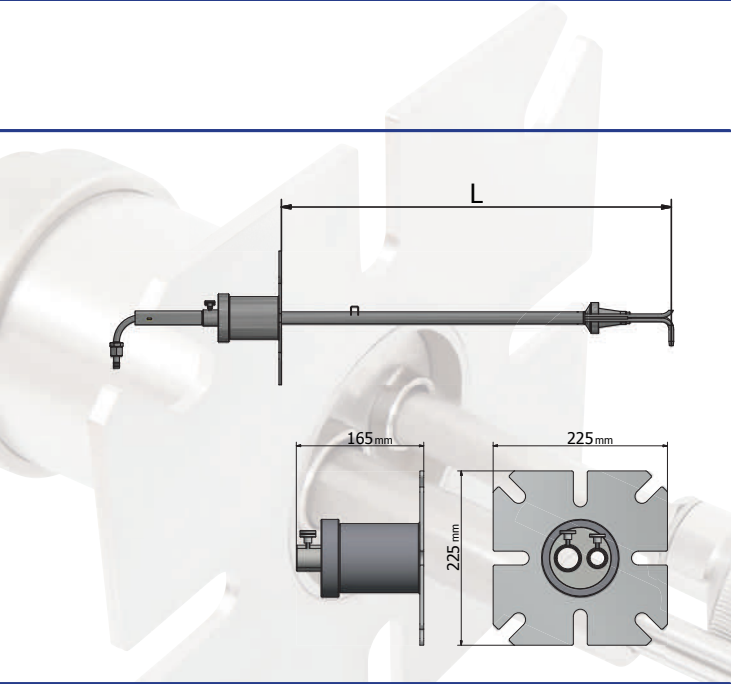
STANDARD PROBE



- Made entirely of stainless steel
- Dusts isokinetic samplings in dry stack emissions
- Easily dismantled to facilitate transport
- Available with sampling line and titanium Darcy for sampling at high temperatures



STANDARD PROBE



The standard probe integrates a measuring tube (Darcy with thermocouple) and sampling tube with nozzles and filter holders, which are connected to a sliding device and fastened to the duct. This enables isokinetic sampling of emission dust found in chimneys with little or no condensation.

All components are made of stainless steel and are compliant with 16911-1 and EN 13284-1.

The assembled probe may be used in ducts with a minimum aperture of 80 mm diameter or larger.

The sliding device, once attached to the chimney, allows the tubes to move in parallel for automatic isokinetic sampling.

The probes can be completely dismantled to facilitate transport and allow the measuring tube to be used independently of the sampling tube in small chimneys.

TECHNICAL FEATURES

- Maximum operating temperature 600 °C.
- Available in various lengths: 500 mm - 1000 mm - 1500 mm - 2000 mm - 2500 mm - 3000 mm.

Nominal Length [mm]	L with slider [mm]
500	315
1000	815
1500	1315
2000	1815
2500	2315
3000	2815

